



OVER HEAT RELAY

Ms. Rinrada K. (Asst. Marketing Manager)
Tel: 098-268-6772
Email: rinrada@att.co.th

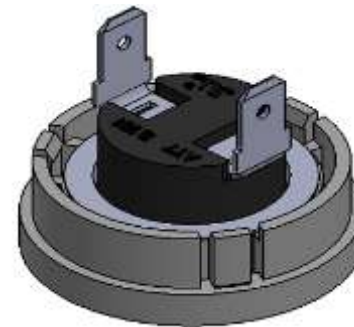
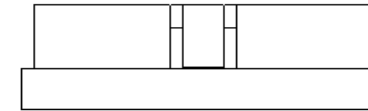
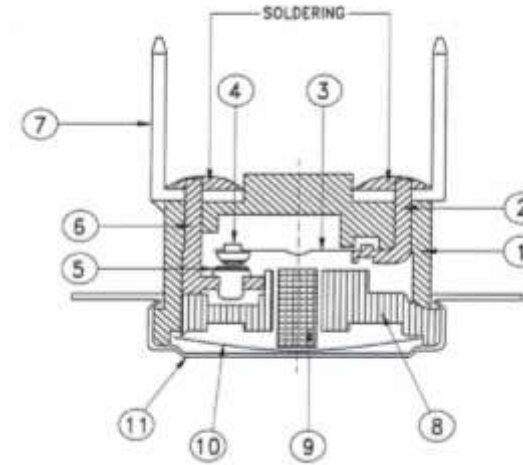
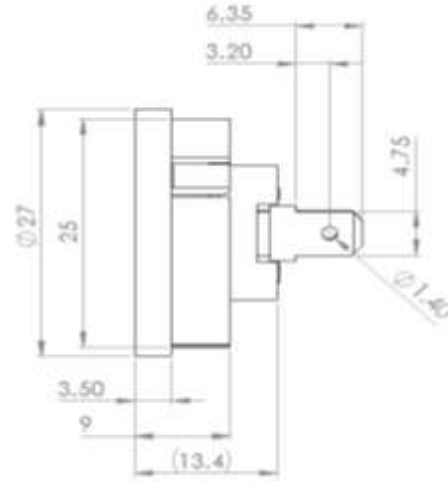
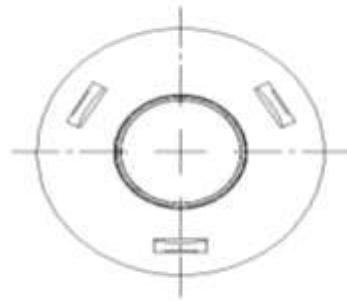




ADVANCE THERMO TECHNOLOGY CO., LTD.

OVERVIEW

Over Heat Relay



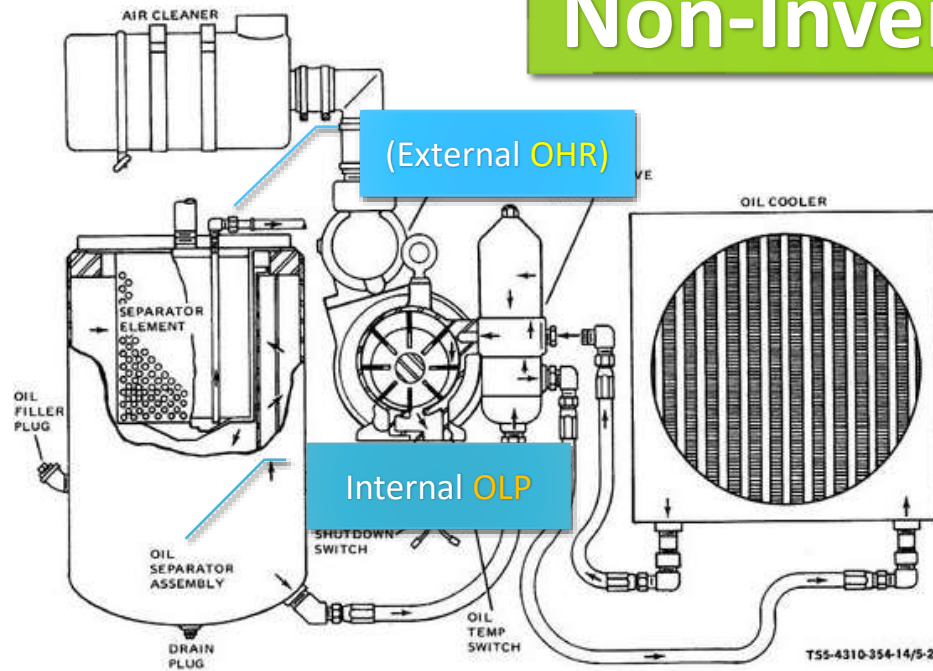
Applications : Compressor

Max temperature : 150°C

Electrical Rating 16 A , 250V

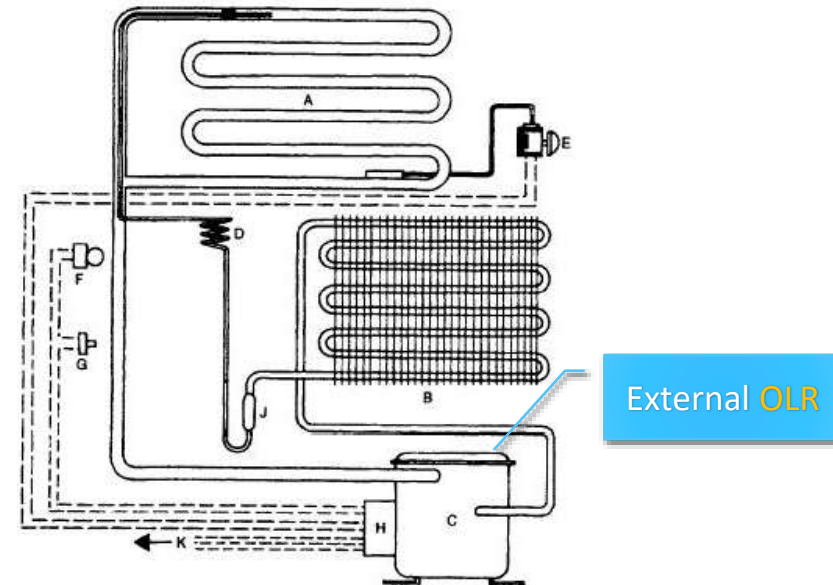
Applications: OHR and Temp Sensor ①

Non-Inverter type (fixed speed)



Air Conditioner

- OLR used for current protection
- OHR used for temp protection

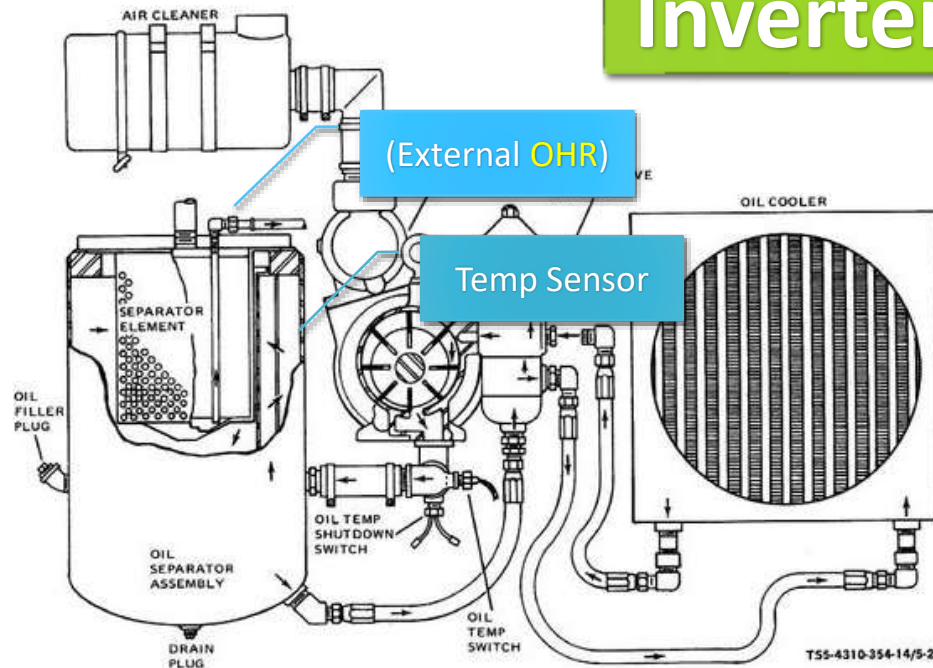


Refrigerator

- OLR used for current protection

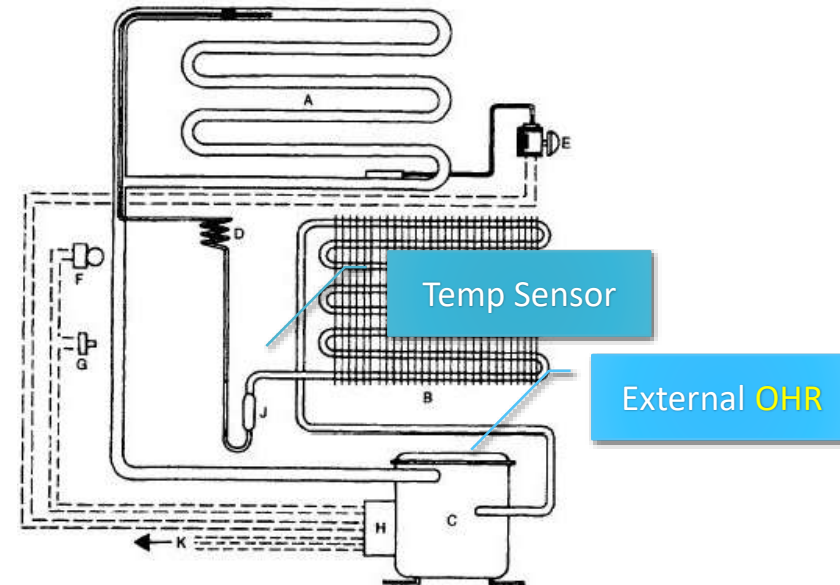
Applications: OHR and Temp Sensor ②

Inverter type (variable speed)



Air Conditioner

- T/M used for temp control
- OHR used for temp protection



Refrigerator

- T/M used for temp control
- OHR used for tempt protection